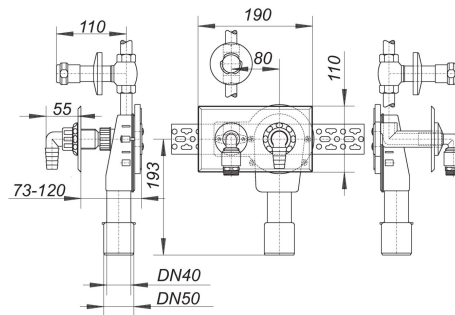


21. November 2019

DALLMER**washing machine or dishwasher trap type 405, DN 40/DN 50**

Product No. **130501**
 EAN: 4001636130501
 Discount group: 1



specification:

- compact recessed body
- sound-absorbing backing plate
- fixing bracket
- cold water feed
- inlet hose connector, chrome
- separate 1/2" on/off valve with back flow preventor, air-admittance valve and escutcheon
- cover plate stainless steel 190 x 110 mm
- recess depth 73 - 120 mm
- spacer

material:

polyethylene trap-body for welding HDPE

If installed with only sound insulated contact against the building structure, the requirements of all classes of sound proofing confirming to DIN 4109.10, table 1 and 2 are fulfilled.

Cover plates and on/off valves can be colour-coated to customers choice.

Product No.	Description	Dimensions
140388	upper component for on/off valve 405, chromed	

21. November 2019

DALLMER

Product No.	Description	Dimensions
140326	backing plate for 405, 406	
140050	concealed on/off valve for 405, chromed	110 mm
141514	cover plate for 405, 406, stainless steel	
147011	cover plate vertical	
140234	escutcheon for 405, stainless steel	
140371	extension 40 mm for recessed on/off valve 405	
140210	hose connection bow with air-admittance for 405, 1/2"	1/2"
140173	hose connector 90° for concealed traps HL 400/405/406, chromed, 1"	1"
090324	hose connector 90°, for concealed traps HL 400/405/406, grey, 1"	1"
090348	hose connector 90°, for concealed traps HL 400/405/406, white, 1"	1"
140166	lock nut for 400/405/406, chromed, 1"	1"
140142	lock nut for 400/405/406, grey, 1"	1"
140159	lock nut for 400/405/406, white, 1"	1"
140203	wall elbow, chromed, 1/2"	1/2"