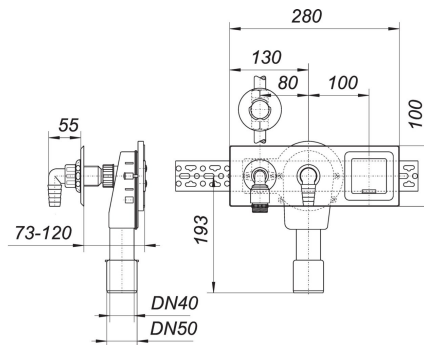


21. November 2019

**DALLMER****washing machine or dishwasher trap type 405 E, DN 40/DN 50**

Product No. **130518**  
 EAN: 4001636130518  
 Discount group: 1

**specification:**

- compact recessed body
- sound-absorbing backing plate
- fixing bracket
- cold water feed
- inlet hose connector, chrome
- separate 1/2" on/off valve with back flow preventor, air-admittance valve and escutcheon
- cover plate stainless steel 190 x 110 mm
- recess depth 73 - 120 mm
- spacer
- incorporating power socket with hinged cover

**material:**

polyethylene trap-body for welding HDPE.  
 tested by: DVGW (on/off valve), VDE (electrical connection)

If installed with only sound insulated contact against the building structure, the requirements of all classes of sound proofing confirming to DIN 4109.10, table 1 and 2 are fulfilled.

Cover plates and on/off valves can be colour-coated to customers choice

Product No.	Description	Dimensions
140326	backing plate for 405, 406	
141729	blind frame set for 405 E and 406 E	
140050	concealed on/off valve for 405, chromed	110 mm

21. November 2019

**DALLMER**

---

141705	cover plate for 405 E/406 E, stainless steel	
141514	cover plate for 405, 406, stainless steel	
147011	cover plate vertical	
140234	escutcheon for 405, stainless steel	
140371	extension 40 mm for recessed on/off valve 405	
140210	hose connection bow with air-admittance for 405, 1/2"	1/2"
140173	hose connector 90° for concealed traps HL 400/405/406, chromed, 1"	1"
090324	hose connector 90°, for concealed traps HL 400/405/406, grey, 1"	1"
090348	hose connector 90°, for concealed traps HL 400/405/406, white, 1"	1"
140166	lock nut for 400/405/406, chromed, 1"	1"
140142	lock nut for 400/405/406, grey, 1"	1"
140159	lock nut for 400/405/406, white, 1"	1"
140203	wall elbow, chromed, 1/2"	1/2"