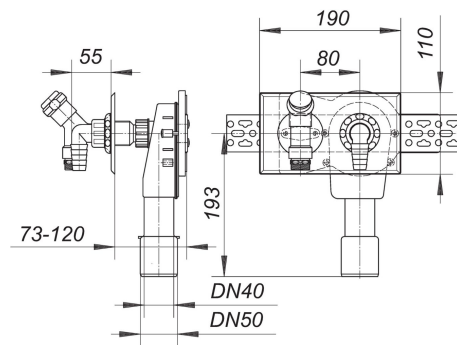


21. November 2019

DALLMER**washing machine or dishwasher trap type 406, DN 40/DN 50**

Product No. **130600**
 EAN: 4001636130600
 Discount group: 1

**specification:**

- compact recessed body
- sound-absorbing backing plate
- fixing bracket
- cold water feed
- 1/2" on/off valve with back flow preventor and air-admittance valve
- inlet hose connector, chrome
- recess depth 73 - 120 mm
- spacer

material:

polyethylene trap-body for welding HDPE
 Tested by: DVGW (on/off valve)

for horizontal installation, cover plate stainless steel 190 x 110 mm

If installed with only sound insulated contact against the building structure, the requirements of all classes of sound proofing confirming to DIN 4109.10, table 1 and 2 are fulfilled.

Cover plates and on/off valves can be colour-coated to customers choice.

Product No.	Description	Dimensions
140104	threaded inlet extension 1"	1"

21. November 2019

DALLMER

Product No.	Description	Dimensions
140326	backing plate for 405, 406	
141514	cover plate for 405, 406, stainless steel	
147011	cover plate vertical	
140098	escutcheon for 406, stainless steel	
140173	hose connector 90° for concealed traps HL 400/405/406, chromed, 1"	1"
090324	hose connector 90°, for concealed traps HL 400/405/406, grey, 1"	1"
090348	hose connector 90°, for concealed traps HL 400/405/406, white, 1"	1"
140166	lock nut for 400/405/406, chromed, 1"	1"
140142	lock nut for 400/405/406, grey, 1"	1"
140159	lock nut for 400/405/406, white, 1"	1"
140067	on/off valve for 406, chromed	
140203	wall elbow, chromed, 1/2"	1/2"