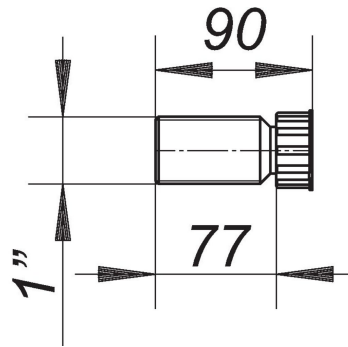


21. November 2019

**DALLMER****threaded inlet extension 1"**

Product No. **140104**  
 EAN: 4001636140104  
 Discount group: 1



used with 400 series concealed washing machine traps

Product No.	Description	Dimensions
130648	washing machine or dishwasher trap type 406 vertical, DN 40/DN 50	DN 40/DN 50