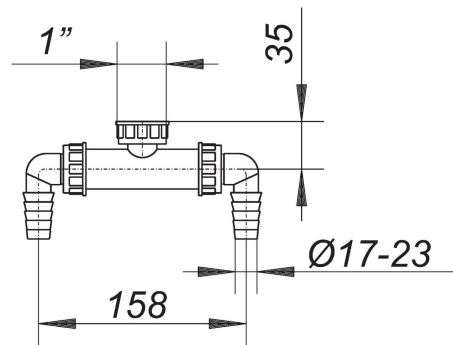


21. November 2019

washing machine manifold 1"

Product No. **140128**
 EAN: 4001636140128
 Discount group: 1



used with washing machine trap type 400 to connect dishwasher and washing machine

specification:

- built-in cross flow preventors
- 2 hose connectors

Product No.	Description	Dimensions
090362	hose connector 90 degrees, for condensation water, 1"	1"
090348	hose connector 90°, for concealed traps HL 400/405/406, white, 1"	1"
130402	washing machine or dishwasher trap HL 400, DN 40/DN 50	DN 40/DN 50
130105	washing machine trap HL 410, DN 40	DN 40