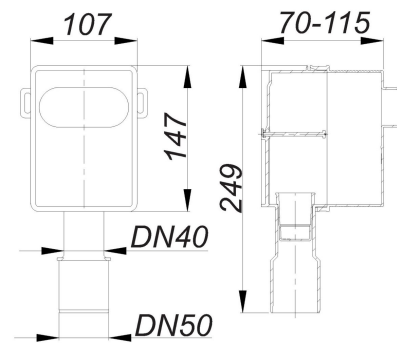


21. November 2019

**DALLMER****installation kit dishwasher trap 400 Vario, DN 40/DN 50**

Product No. **140401**  
 EAN: 4001636140401  
 Discount group: 1



housing for wall recessing

specification:

- recess depth 75 - 115 mm
- spacer

material:

polyethylene for welding HDPE

Product No.	Description	Dimensions
140425	connection kit dishwasher trap 400 Vario.2	
140418	installation kit dishwasher trap 400 Vario.1	