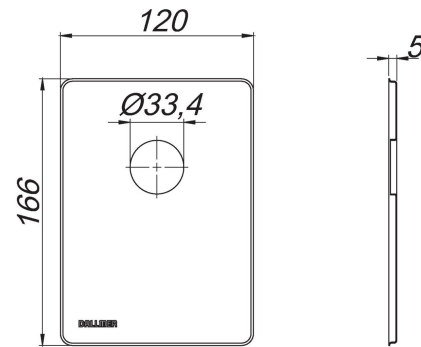


21. November 2019

DALLMER**cover plate for HL 400, stainless steel, polished**

Product No. **140517**
EAN: 4001636140517
Discount group: 1



polished stainless steel

Product No.	Description	Dimensions
130402	washing machine or dishwasher trap HL 400, DN 40/DN 50	DN 40/DN 50