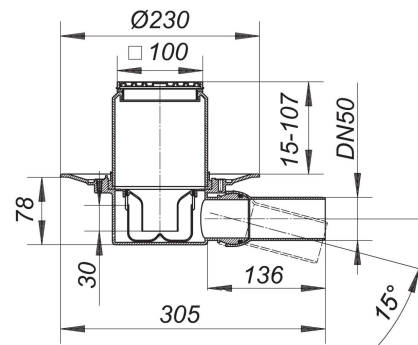


21. November 2019

DALLMER**floor drain 42 E, DN 50, 100 x 100 mm**

Product No. **420107**
 EAN: 4001636420107
 Discount group: 3



outlet DN 50 horizontal, with ball-joint, adjustable 0 – 15 degrees

specification:

- height adjustable grating type E 10
- removable trap insert, 30 mm water seal
- temporary blanking plate

material:

polypropylene
 frame ABS, 100 x 100 mm, grate 304 stainless steel, load class K 3 (300 kg)

The outlet connector can be supplied in ABS to suit British Standard sizes and PE-HD conforming to DIN EN 1519. Please enquire.

Flow rate tested to DIN EN 1253 Tab. 3,
 (with 20 mm water over cover plate), conforming to DIN EN 274

	Norm	DALLMER
DN 50	0.4 l/s	0.62 l/s

Product No.	Description	Dimensions
495013	drainage ring S 10	
495204	frame EN 10, 100 x 100 mm	100 x 100 mm
501011	grate E 90, 90 x 90 mm	90 x 90 mm
495044	Trap insert for floor drain body type 42	

21. November 2019

DALLMER

Product No.	Description	Dimensions
495020	Back flow seal S 10, d: 110 mm	d: 110 mm
839503	clamp ring S 10	
495068	test plug S 10	
790323	waterproofing collar S 10, EPDM, d: 420 mm	d: 420 mm
790316	waterproofing collar S 10, flexible PVC, d: 420 mm	d: 420 mm