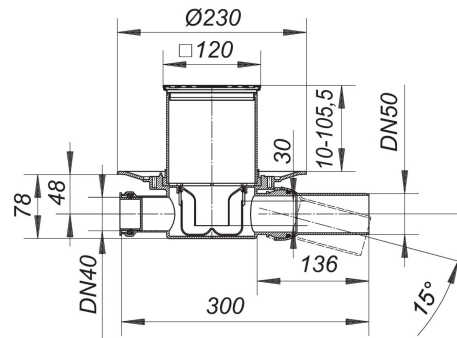


21. November 2019

DALLMER**floor drain type 42 SE 12, inlet DN 40, DN 50, 120 x 120 mm**

Product No. **420220**
 EAN: 4001636420220
 Discount group: 3



outlet DN 50 horizontal, with ball-joint, adjustable 0 – 15 degrees

specification:

- side inlet DN 40
- height adjustable grating E 12
- removable trap insert, 30 mm water seal
- temporary blanking plate

material:

polypropylene

frame 304 stainless steel, 120 x 120 mm, grate 304 stainless steel, load class K 3 (300 kg)

The outlet connector can be supplied in ABS to suit British Standard sizes and PE-HD conforming to DIN EN 1519. Please enquire.

Flow rate tested to DIN EN 1253 Tab. 3,
 (with 20 mm water over cover plate), conforming to DIN EN 274

	Norm	DALLMER
DN 50	0.4 l/s	0.62 l/s

Product No.	Description	Dimensions
420022	Floor drain body type 42 S, inlet DN 40, DN 50	DN 50
495341	frame ECS 12, 304 stainless steel, 120 x 120 mm	120 x 120 mm
501080	grate E 115, 115 x 115 mm	115 x 115 mm

Dallmer GmbH + Co KG · Wiebelsheidestraße 25 · 59757 Arnsberg / Germany · Tel.: +49 2932 9616-0 · Fax: +49 2932 9616-222
 www.dallmer.de · info@dallmer.de

Subject to modifications due to technical development, errors and misprints.

21. November 2019

DALLMER

495044	Trap insert for floor drain body type 42
--------	--

Product No.	Description	Dimensions
495020	Back flow seal S 10, d: 110 mm	d: 110 mm
839503	clamp ring S 10	
831569	raising piece type 85	
832566	raising piece type 85 DallBit	
495075	Two-way seal CeraDrain type S 10	
790323	waterproofing collar S 10, EPDM, d: 420 mm	d: 420 mm
790316	waterproofing collar S 10, flexible PVC, d: 420 mm	d: 420 mm