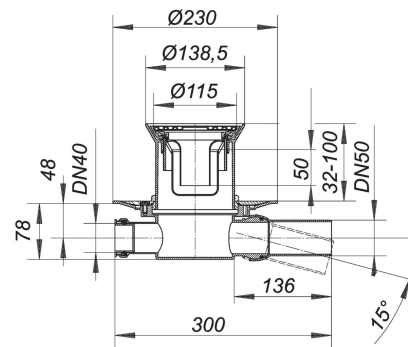


21. November 2019

**DALLMER****floor drain type 32 ERP 12, DN 50, d: 115 mm**

Product No. **420329**  
 EAN: 4001636420329  
 Discount group: 3



conforming to DIN EN 1253  
 with clamp ring for flexible flooring, 1 – 4 mm  
 outlet DN 50 horizontal, with ball-joint, adjustable 0 – 15 degrees

specification:

- side inlet DN 40
- height adjustable grating ERP 12
- removable trap insert, 50 mm water seal
- temporary blanking plate
- seal CeraDrain S 10

material:

polypropylene  
 frame ABS, grate 304 stainless steel, d: 115 mm, load class K 3 (300 kg)

The outlet connector can be supplied in ABS to suit British Standard sizes and PE-HD conforming to DIN EN 1519. Please enquire.

Flow rate tested to DIN EN 1253  
 (with 20 mm water over grate)

	Norm	DALLMER
DN 50	0.8 l/s	0.8 l/s

Product No.	Description	Dimensions
501264	grate VER, d: 115 mm	d: 115 mm

21. November 2019

**DALLMER**

---

160966	trap insert ORIO built 2004 - May 2010
495075	Two-way seal CeraDrain type S 10