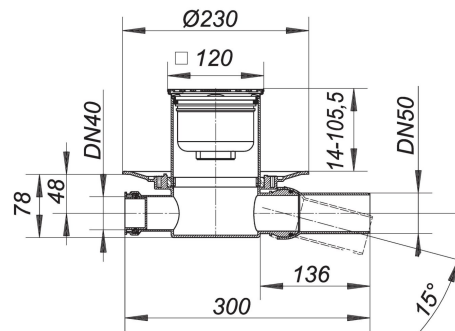


21. November 2019

DALLMER**floor drain type 32 PRIMUS E 12, DN 50, 120 x 120 mm**

Product No. **420336**
 EAN: 4001636420336
 Discount group: 3



Seals when water dries out!
 outlet DN 50 horizontal, with ball-joint, adjustable 0 – 15 degrees

specification:

- 50 mm bell trap and mechanically sealing device
- side inlet DN 40
- height adjustable grating E 12
- temporary blanking plate

material:

polypropylene
 frame 304 stainless steel, 120 x 120 mm, grate 304 stainless steel, load class
 K 3 (300 kg)

The outlet connector can be supplied in ABS to suit British Standard sizes and PE-HD conforming to DIN EN 1519. Please enquire.

Flow rate tested to DIN EN 1253 Tab. 3,
 (with 20 mm water over cover plate), conforming to DIN EN 274

	Norm	DALLMER
DN 50	0.4 l/s	0.5 l/s

Product No.	Description	Dimensions
495006	trap insert Primus, 50 mm, for frames 120 x 120 mm	