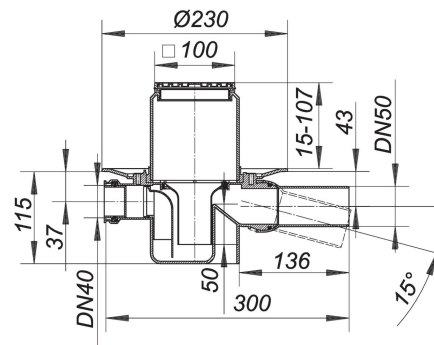


21. November 2019

DALLMER**floor drain type 46 SE, inlet DN 40, DN 50, 100 x 100 mm**

Product No. **460127**
 EAN: 4001636460127
 Discount group: 3



conforming to DIN EN 1253
 outlet DN 50 horizontal, with ball-joint, adjustable 0 – 15 degrees

specification:

- side inlet DN 40
- height adjustable grating type E 10
- removable trap insert, 50 mm water seal
- temporary blanking plate

material:

polypropylene
 frame ABS, 100 x 100 mm, grate 304 stainless steel, load class K 3 (300 kg)

The outlet connector can be supplied in ABS to suit British Standard sizes and PE-HD conforming to DIN EN 1519. Please enquire.

Flow rate tested to DIN EN 1253
 (with 20 mm water over grate)

	Norm	DALLMER
DN 50	0.8 l/s	0.81 l/s

Product No.	Description	Dimensions
460059	Floor drain body type 46 S, inlet DN 40, DN 50	DN 50
495204	frame EN 10, 100 x 100 mm	100 x 100 mm
501011	grate E 90, 90 x 90 mm	90 x 90 mm

Dallmer GmbH + Co KG · Wiebelsheidestraße 25 · 59757 Arnsberg / Germany · Tel.: +49 2932 9616-0 · Fax: +49 2932 9616-222
 www.dallmer.de · info@dallmer.de

Subject to modifications due to technical development, errors and misprints.

21. November 2019

DALLMER

495051	Trap insert for floor drain body type 46
--------	--

Product No.	Description	Dimensions
495020	Back flow seal S 10, d: 110 mm	d: 110 mm
839503	clamp ring S 10	
831569	raising piece type 85	
832566	raising piece type 85 DallBit	
495075	Two-way seal CeraDrain type S 10	
790323	waterproofing collar S 10, EPDM, d: 420 mm	d: 420 mm
790316	waterproofing collar S 10, flexible PVC, d: 420 mm	d: 420 mm