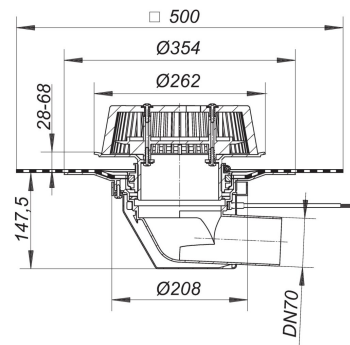


21. November 2019

DALLMER**overflow drain SuperDrain type 64 H DallBit, heated, DN 70**

Product No. **671677**
 EAN: 4001636671677
 Discount group: 10



conforming to DIN EN 1253
 for use with a calculated siphonic roof drainage system, with factory-fitted collar of 5.0 mm modified bitumen membrane, 500 x 500 mm, welded to the flange and clamped with a stainless steel clamp ring

specification:

- SuperDrain-insert
- insulated drain body
- side outlet DN 70, 3 degrees fall
- overflow upstand height adjustable 28 - 68 mm
- domed grate, secured

material:

polypropylene, UV-stabilized

H = roof drain heated version

Connect to 230 V supply, conforming to VDE 0721, Part 1/3.78

Power per drain: 15 watts

Current per drain: 0.06 amps

Suggested current per roof area: 16 amps

Product No.	Description	Dimensions
621580	raising piece type 630 clamp ring	
622587	raising piece type 630 DallBit	
621573	raising piece type 630 FPO-PE	
671226	raising piece type 630 FPO-PP	
623584	raising piece type 630 PVC	