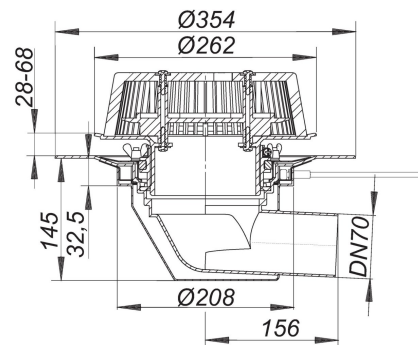


21. November 2019

**DALLMER**

## overflow drain SuperDrain type 62 H clamp ring, heated, DN 70

Product No. **671691**  
 EAN: 4001636671691  
 Discount amount: 10



conforming to DIN EN 1253  
 for use with a calculated siphonic roof drainage system, with stainless steel clamp ring  
 to secure all single-ply membranes

specification:

- SuperDrain-insert
- insulated drain body
- side outlet DN 70, 3 degrees fall
- overflow upstand height adjustable 28 - 68 mm
- domed grate, secured

material:

polypropylene, UV-stabilized

H = roof drain heated version

Connect to 230 V supply, conforming to VDE 0721, Part 1/3.78

Power per drain: 15 watts

Current per drain: 0.06 amps

Suggested current per roof area: 16 amps

Product No.	Description	Dimensions
621580	raising piece type 630 clamp ring	
622587	raising piece type 630 DallBit	
621573	raising piece type 630 FPO-PE	
671226	raising piece type 630 FPO-PP	
623584	raising piece type 630 PVC	