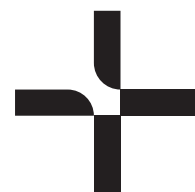


Product information

Bituminous sleeve



01 Bituminous sleeve

Page 04

02 Product range

Page 12

03 Service

Page 14

Flexible protection against capillary rising damp.

Product range from page 12

Stops moisture.
Easy and efficient.

In the case of ground-contact base plates, capillary rising damp frequently causes severe damage to floors and brickwork. As a leading drainage specialist we offer an innovative solution for this challenge: our newly developed bituminous sleeve in DN 50 and DN 100 nominal sizes is an accessory item within the DallDrain system family. It is designed for use anywhere that the floor drain must guarantee additional protection against rising damp in accordance with DIN 18533.

The advantages of the ready-to-fit Dallmer bituminous sleeve: the drain body no longer needs to be cast with the base plate. This makes it a fast and cost-effective solution, as the base plate is poured complete and there is no longer a need for additional work processes such as encasing recesses for drain outlets and subsequent casting.

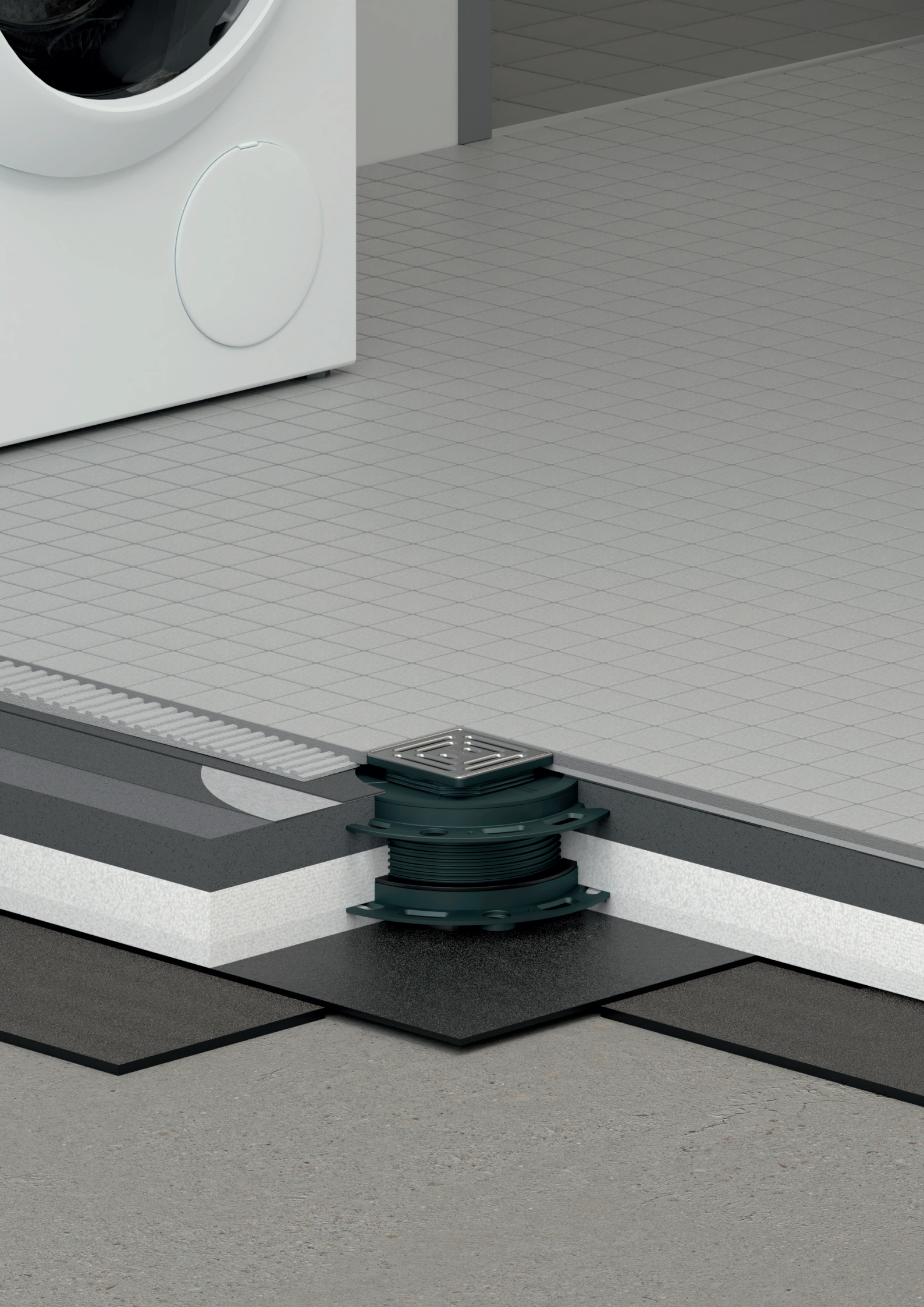
The bituminous sleeve is ready to install ex works, and is attached to the bituminous membrane as soon as it is needed for sealing. The floor drain is effortlessly inserted into the sleeve and installation can be performed either during the same construction stage or subsequently – depending on the relevant requirements. It is possible to easily replace the drain body at any time.

Discover the new bituminous sleeve today:
dallmer.com/517845



You might also be interested in: The DallDrain system family comprises easy-to-install, highly flexible floor drains for drainage of all areas that need to be sealed. The DallDrain and CeraDrain drain bodies can be extended with numerous attachments and accessory items.

Discover the DallDrain system:
dallmer.com/dalldrain



Saves time. Offers standards-compliant protection.

Product range from page 12

A perfect fit every time –
and anywhere.

The first protection against capillary rising damp which you simply can't get wrong. The newly developed Dallmer bituminous sleeve is available in DN 50 and DN 100 nominal sizes and offers impressively straightforward installation. The innovative sealing element makes sealing pipes quick and easy.

Reliable

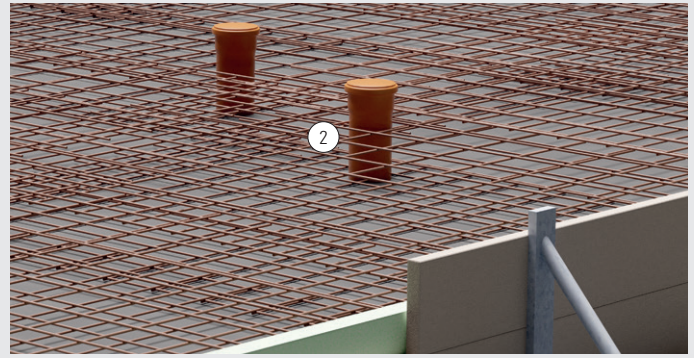
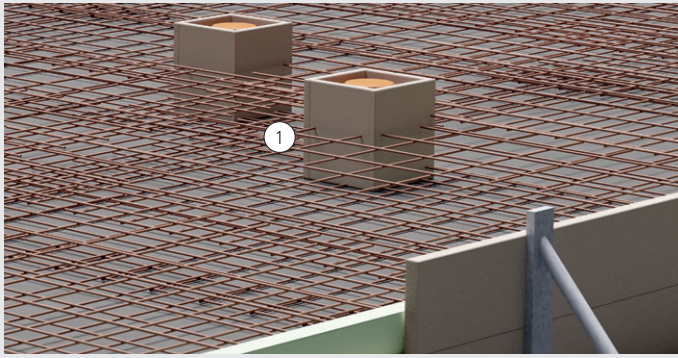
The bituminous sleeve is the go-to choice when floor drains require additional protection against capillary rising damp in accordance with DIN 18533. It is only used when it is needed for sealing. The TPE lip seal is permanently attached ex-works and therefore guarantees reliable sealing. The temporary blanking plate protects the lip seal from heat exposure during installation. The positioning aid prevents the sleeve from slipping during assembly.

Simple

Immediately functional: the sleeve is ready-to-fit ex-works and is easily centred by means of the positioning sleeve. The floor drain can be easily inserted into the sewer base channel after the bituminous seal is welded on. There is no need to make a recess for the drain bodies in the base plate.

Quick

The bituminous sleeve is pre-mounted ex-works and can be precisely centred thanks to the positioning aid. Thanks to clear trades separation, the floor drain can be flexibly mounted at a later stage.



- ① Previously: it was necessary to make a recess to fit the drain body into the base plate.
- ② New: complete casting of the base plate is now possible. No recess required in the base plate.

Fewer work steps. More flexibility.

The Dallmer bituminous sleeve offers very easy and efficient installation. The drain body no longer needs to be cast with the base plate. This has the advantage of eliminating the need for additional work steps such as encasing recesses for base drains and subsequent casting.

Function description:
dallmer.com/bituminous-function



Fitted in a few steps

Step 1

The ready-to-fit bituminous sleeve can be installed straight away. The temporary blanking plate with integrated positioning aid ensures straightforward and optimal alignment.



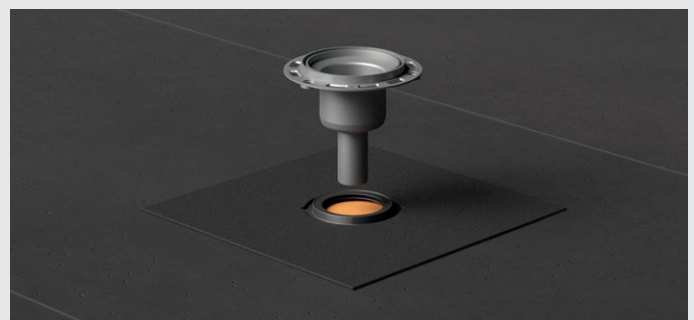
Step 2

The temporary blanking plate guarantees the sealing element and sewer base channel are optimally protected against heat exposure while the bituminous sleeve is being welded on.



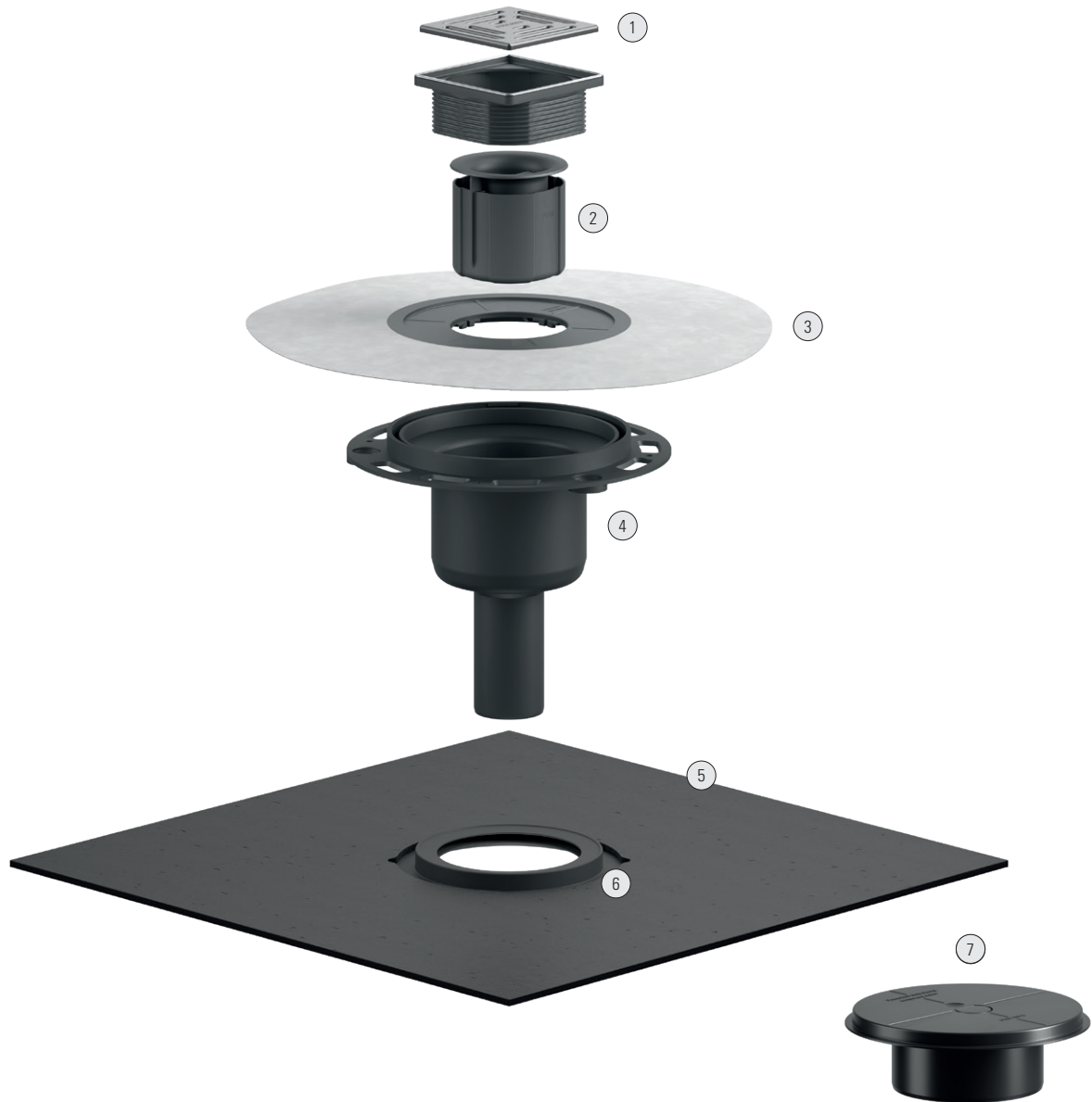
Step 3

Finally, the DallDrain drain body is easily inserted into the sewer base channel, and installation is complete.

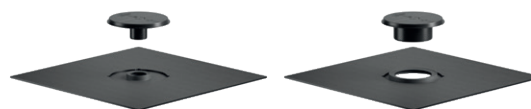


Bituminous sleeve with DallDrain floor drain.

Product range from page 12



Variants



Bituminous sleeve
DN 50

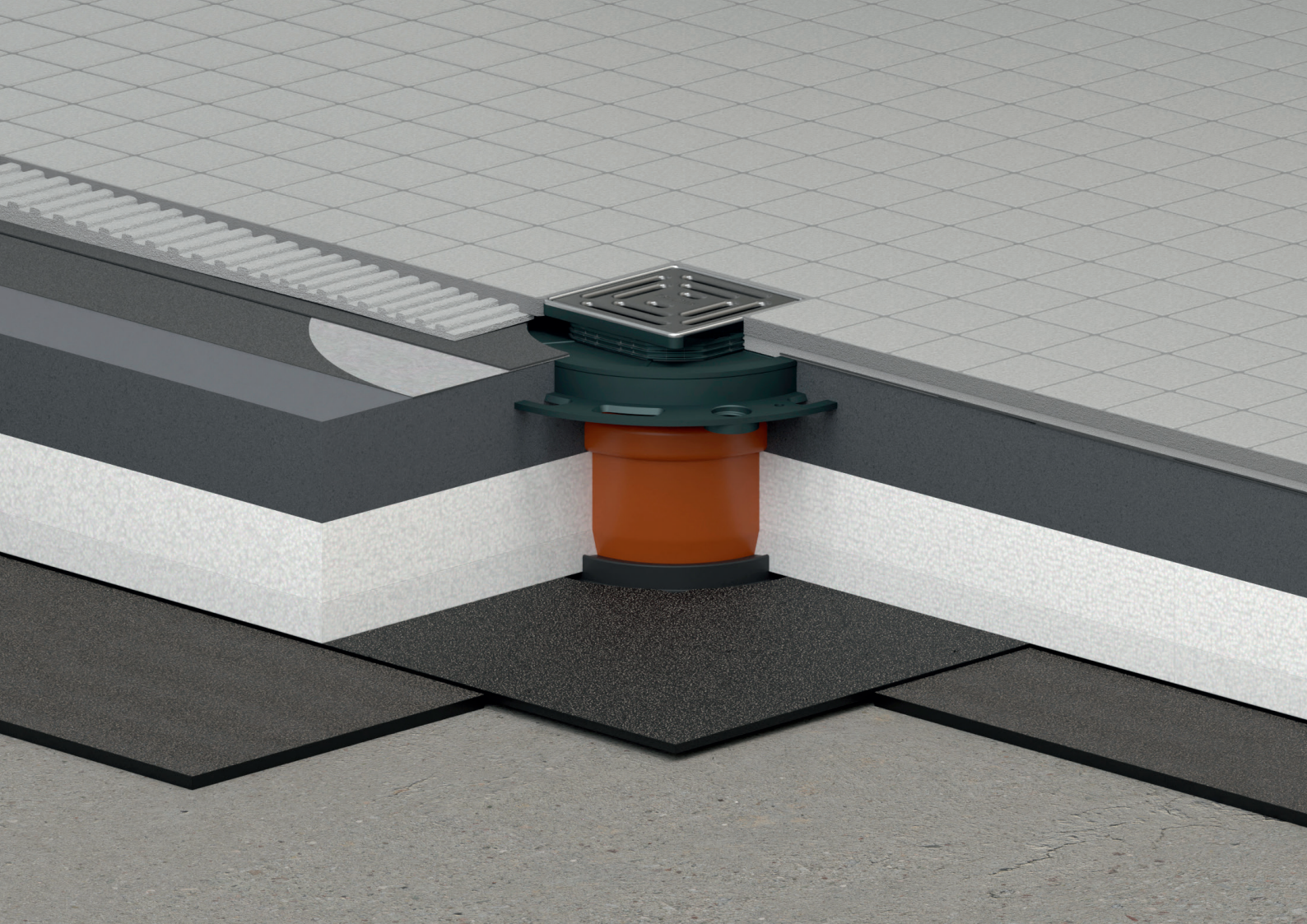
Bituminous sleeve
DN 100

Material

Connection sleeve made from elastomeric bitumen, sealing element made from TPE
Temporary blanking plate / positioning aid made from polypropylene

Dimensions

500 x 500 x 5 mm



- ① DallDrain Select attachment
- ② Removable, two-piece odour trap and rodding eye, water trap height 50 mm (as per DIN EN 1253)
- ③ Sealing sleeve for seals (as per DIN 18534)
- ④ DallDrain drain body with outlet, vertical
- ⑤ Bituminous membrane sleeve, welded on ex-works, for connection to bituminous sealing sheets
- ⑥ Sealing element permanently attached ex-works with TPE lip seal to prevent capillary rising damp
- ⑦ Temporary blanking plate with integrated positioning aid

Advantages

Our innovative bituminous sleeves impress with very straightforward and rapid installation as well as flexibility for the many construction situations in which capillary rising damp must be sealed against in accordance with DIN 18533. The result: less effort and standards-compliant protection against rising damp.

- Optimal protection against damage to the drain body and bituminous sleeve due to subsequent installation based on construction progress.
- Clear trades separation for more flexibility: after the bituminous sleeve has been connected to the bituminous floor seal, the DallDrain floor drain can be fitted at a later time.
- Lip seal is optimally protected from dirt and the effects of heat exposure during assembly, by means of comprehensive construction protection.
- Quick and easy centring of the bituminous sleeve using the positioning aid.

More information:
dallmer.com/517845



The right solution for your construction project.

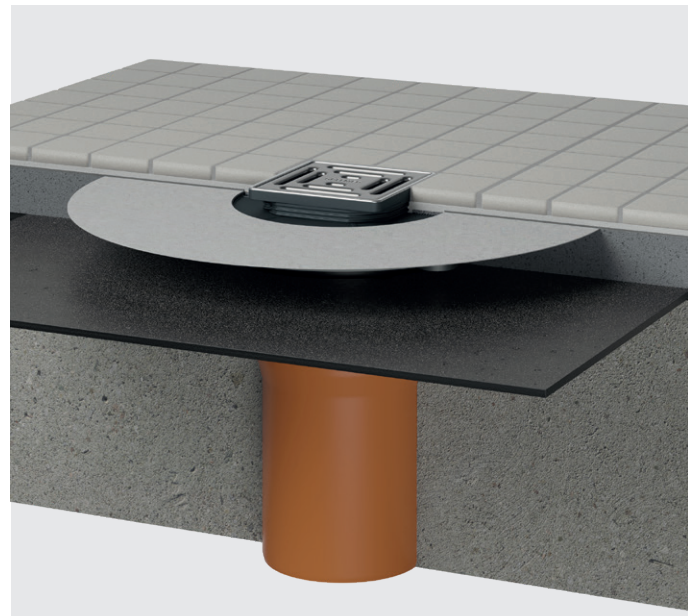
Product range from page 12

Flexible and standards-compliant.

Our understanding of versatility: the Dallmer bituminous sleeve in nominal sizes DN 50 and DN 100 is always a great fit. Its reliable protection against capillary rising damp fulfils all construction requirements on a customised basis and in compliance with standards.

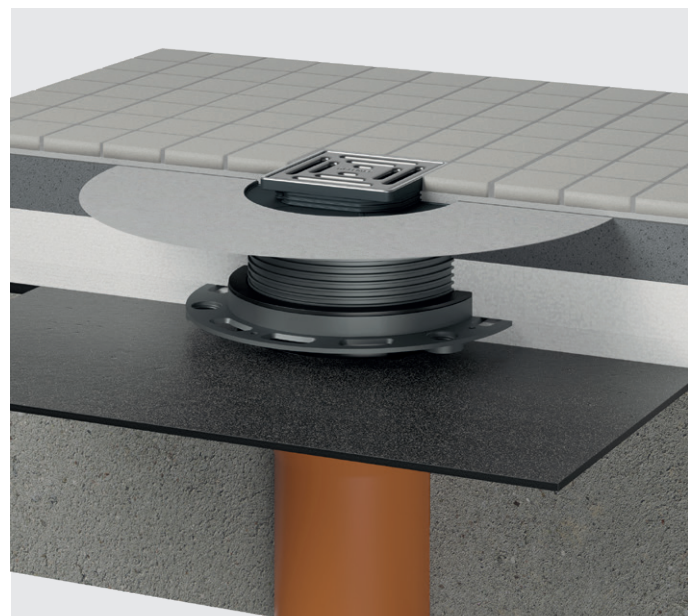
Situation 1: DallDrain floor drain body in the sewer base channel

The DallDrain vertical drain body is guided directly through the ready-to-fit DN 100 bituminous sleeve and into the wastewater pipe.



Situation 2: High floor structure with DallDrain Vario raising piece

The DallDrain vertical drain body is guided directly through the DN 100 bituminous sleeve and into the sewer base channel, and extended with the raising piece appropriate for the floor drain. Structural differences can be easily compensated.



Situation 3:

High floor structure, extension of the drain body with wastewater piping

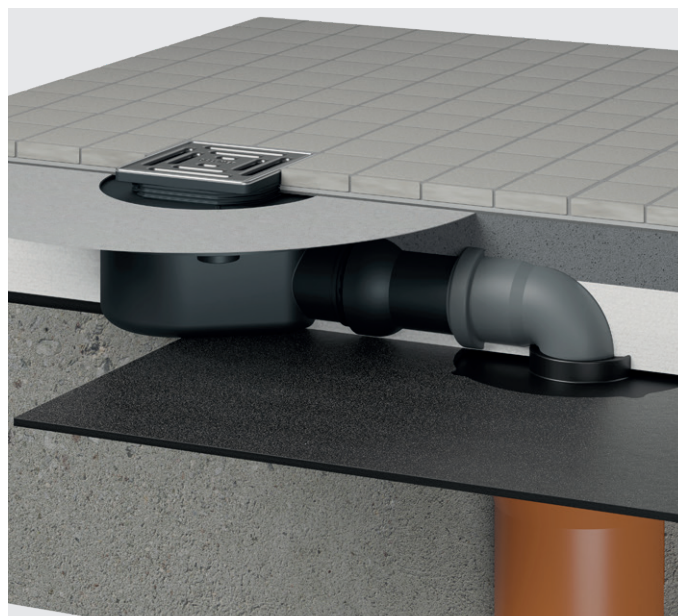
The sewer base channel piece is pushed through the DN 100 bituminous sleeve. In the second step, the DalIDrain vertical drain body is guided directly into the sewer base channel used for extension. The reliable and simple solution for high floor structures, for example when a damp course is applied.



Situation 4:

Flexible in-floor positioning of the DalIDrain floor drain

The sewer base channel is minimised to DN 50 with a reducing piece. Then the HT connection pipe is installed together with the DN 50 bituminous sleeve. Possible use case: The wastewater pipe is already moulded into the sewer base channel. The room layout is to be subsequently amended and the floor drain installed at a different location.



Bituminous sleeves

DALLMER bituminous sleeves

In accordance with DIN 18533 for implementation of wastewater pipes by means of bituminous sealing sheets and ground-contact base plates.

VERSION

- Sealing element to protect against capillary rising damp
- Bituminous membrane sleeve 500 x 500 x 5 mm welded-on ex-works for connection to bituminous sealing sheets
- Temporary blanking plate with integrated positioning aid

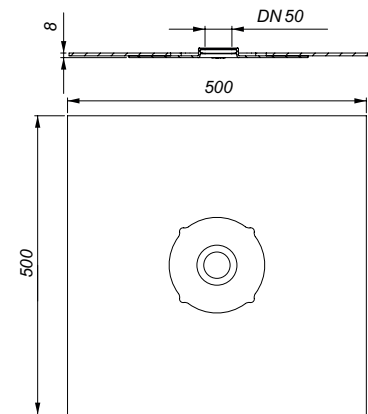
MATERIAL

Elastomeric bitumen, polypropylene, TPE

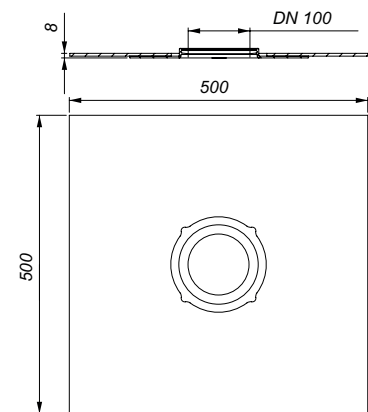
ITEM	NOMINAL SIZE	DIMENSIONS	ITEM NO.
Bituminous sleeve	DN 50	500 x 500 mm	517814
Bituminous sleeve	DN 100	500 x 500 mm	517845



Bituminous sleeve DN 50



Bituminous sleeve DN 100



Service

+ 49 2932 9616-0

We are available to answer all your questions from Monday to Thursday from 07:15 to 17:00, and on Fridays from 07:15 to 14:00.

All products at a glance

Discover our wide range of drainage systems and get an overview of our product categories in the comprehensive product list.

Help with planning and installation

Available for download as a pdf or as a brochure: dallmer.com/brochures

Planners, architects and installation technicians can visit dallmer.com/service for useful tools and documents that support them throughout the entire process, from planning to installation.



Installation instructions



DXF drawings



Data sheets



BIM – building information modelling



System cross-sections



Configurator

Available to you personally: You can contact our Technical Support department on +49(0)2932 9616-444.

The Dallmer Sessions online. video. live.



Knowing all about the latest state-of-the-art drainage technologies, changes to standards and directives, and current bathroom trends gives you a clear advantage that you can pass on to your customers. Dallmer advanced training now makes it even easier to stay up-to-date.

For more information and current scheduled events, visit dallmer.com/sessions

10-year warranty*

A promise which we are happy for you to pass on to your customers.

Dallmer videos [dallmer.official](https://www.facebook.com/dallmer.official) [dallmer_official](https://www.instagram.com/dallmer_official) [dallmer_official](https://www.pinterest.com/dallmer_official) WhatsApp service: +49 170 2801433

* Warranty conditions from January 2013, Republic of Ireland and United Kingdom excluded: dallmer.com/int/agb

Dallmer GmbH + Co. KG
Wiebelsheidestrasse 25
59757 Arnsberg

T + 49 2932 9616-0
E info@dallmer.de
W dallmer.com

DW20102_PDF
WEEE reg. no. DE 98946358