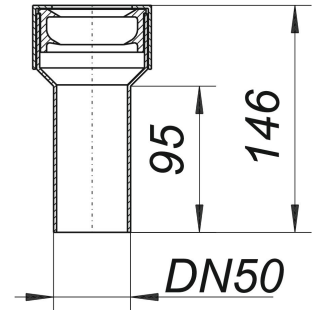


socket connector type 019, 140 mm, DN 50

Part number: 080929
GTIN: 4001636080929
Rebate group: 1



Description:

socket connector type 019, 140 mm, DN 50
used with sinks, urinal bowls etc.

specification:
- recessed 2" lip-seal

material:
polypropylene