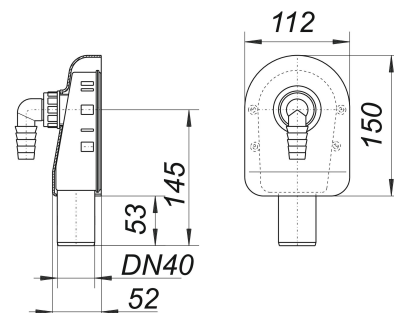


washing machine trap HL 410, DN 40

Part number: 130105
GTIN: 4001636130105
Rebate group: 1



Description:

washing machine trap HL 410, DN 40
conforming to DIN 19541
wall mounted

specification:

- hose connector
- escutcheon
- securing screws

material:

polypropylene

Spare parts:

090348 hose connector 90°, for concealed traps