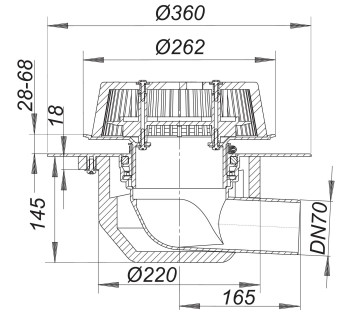


overflow drain SuperDrain type 64 PVC, DN 70

Part number: 671646
 GTIN: 4001636671646
 Rebate group: 10



Description:

overflow drain SuperDrain type 64 PVC, DN 70
 conforming to DIN EN 1253

for use with a calculated siphonic roof drainage system, moulded in PVC, PVC membranes can be welded to the flange

specification:

- SuperDrain-insert
- insulated drain body
- side outlet DN 70, 3 degrees fall
- overflow upstand height adjustable 28 - 68 mm
- domed grate, secured

material:

PVC

Flow rates tested to DIN EN 1253:

Nominal diameter	Min. flow rate according to norm	Water level according to norm	Flow rate at water level 5 mm	Flow rate at water level 15 mm	Flow rate at water level 25 mm	Flow rate at water level 35 mm	Flow rate at water level 45 mm	Flow rate at water level 55 mm	Flow rate at water level 65 mm
DN 70	12.00 l/s	55.00 mm	0.80 l/s	3.80 l/s	7.30 l/s	12.20 l/s	18.40 l/s	18.50 l/s	18.50 l/s

Spare parts: