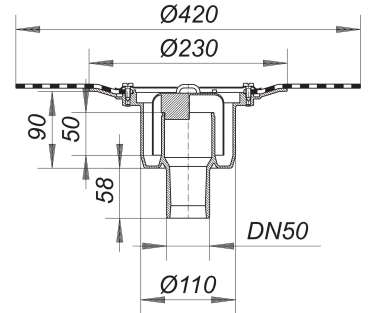


floor drain body type 40 DallBit, DN 50

Part number: 405227
 GTIN: 4001636405227
 Rebate group: 3



Description:

floor drain body type 40 DallBit, DN 50
 conforming to DIN EN 1253
 with d: 420 mm collar of 5.0 mm thick bituminous membrane, welded to the flange and secured with stainless steel clamp ring.
 outlet DN 50 vertical

specification

- removable trap insert, 50 mm water seal (conforming to DIN EN 1253)
- temporary blanking plate

material

polypropylene

The outlet connector can be supplied in ABS to suit British Standard sizes and PE-HD conforming to DIN EN 1519. Please enquire.

Fire protection system 2 (Part No. 515025) applicable.

Flow rates tested to DIN EN 1253:

Nominal diameter	Product standard	Min. flow rate according to norm	Water level according to norm	Flow rate at water level 10 mm	Flow rate at water level 20 mm
DN 50	DIN EN 1253	0.80 l/s	20.00 mm	1.00 l/s	3.00 l/s

Spare parts:

590275 Bell trap for floor drain body type 40