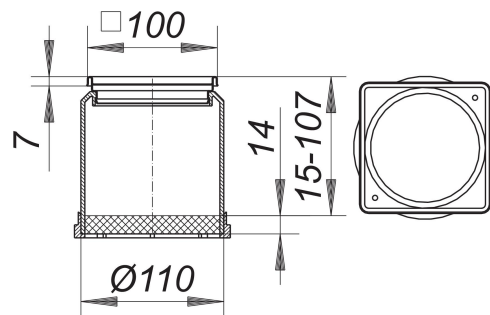


frame ECS 10, 304 stainless steel, 100 x 100 mm

Part number: 495211
GTIN: 4001636495211
Rebate group: 3



Description:

frame ECS 10, 304 stainless steel, 100 x 100 mm
used with floor drain types 40, 42 and 46, balcony drain body types 83 and 84
frame 304 or 316L stainless steel, 100 x 100 mm, with threaded inserts,
spigot polypropylene, extendable with DN 100 plastic pipe

Spare parts:

495013 drainage ring S 10