

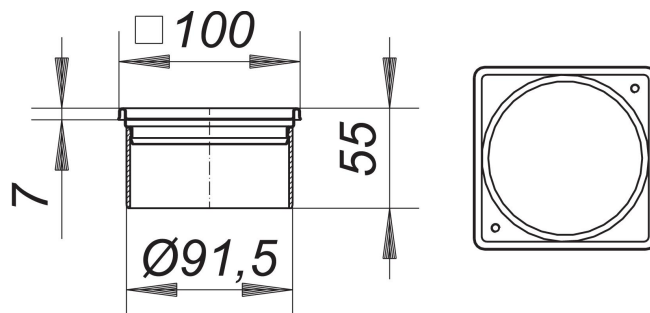
---

**frame V, S 10/100, 304 stainless steel, 100 x 100 mm**

---

Part number: 495402  
GTIN: 4001636495402  
Rebate group: 5

---



---

**Description:**

frame V, S 10/100, 304 stainless steel, 100 x 100 mm  
for CeraDrain S 10 and TistoDrain S 10

height adjustable up to 40 mm with +/- 5.5 mm lateral adjustment, spigot ABS, frame stainless steel, with threaded inserts, 100 x 100 mm,  
used with grates 90 x 90 mm  
304 stainless steel

**Spare parts:**

514448 sound-insul. fl. dr. CeraDrain-48 VC 10