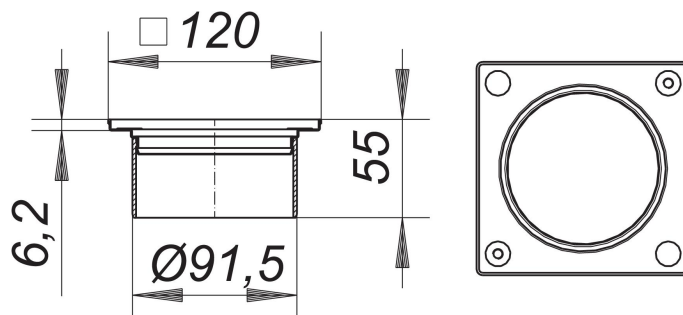

frame V, S 10/120, 304 stainless steel, 120 x 120 mm

Part number: 495426
GTIN: 4001636495426
Rebate group: 5



Description:

frame V, S 10/120, 304 stainless steel, 120 x 120 mm
for CeraDrain S 10 and TistoDrain S 10

height adjustable up to 40 mm with +/- 5.5 mm lateral adjustment, spigot ABS, frame stainless steel, with threaded inserts, 120 x 120 mm,
used with grates 115 x 115 mm
304 stainless steel