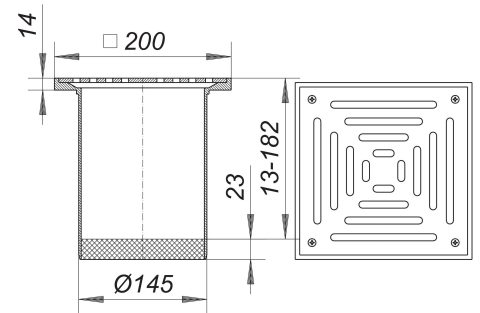


grating GES 15, massiv grate, secured, 200 x 200 mm

Part number: 500205
GTIN: 4001636500205
Rebate group: 3



Description:

grating GES 15, massiv grate, secured, 200 x 200 mm
used with floor drains type 54, 55, 57, 58, 61 and 61/1
spigot polypropylene, frame polypropylene, 200 x 200 mm,
grate 5 mm 316L stainless steel, secured, load class L 15 (1.5 t)

Spare parts:

501202 grate ES 190, massive, 190 x 190 mm