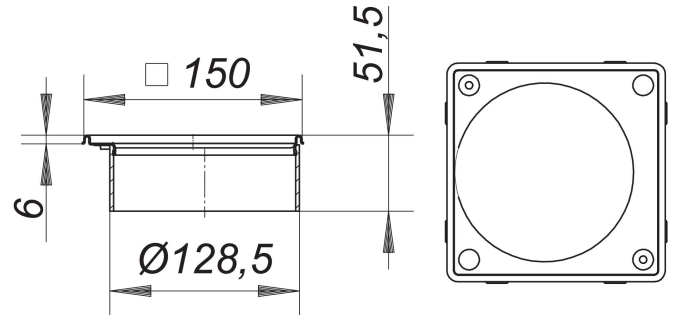


frame V, S 15/150, 316Ti stainless steel, 150 x 150 mm

Part number: 503053
GTIN: 4001636503053
Rebate group: 5



Description:

frame V, S 15/150, 316Ti stainless steel, 150 x 150 mm
for CeraDrain-S 15 and TistoDrain S 15,
height adjustable up to 40 mm with +/- 13 mm lateral adjustment, spigot ABS
frame 316L stainless steel, with threaded inserts, 150 x 150 mm,

used with grates 140 x 140 mm