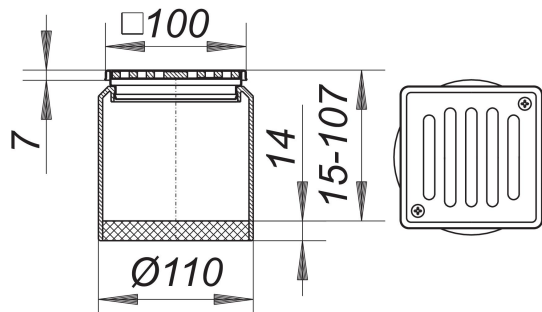


grating ECS 10, grate 5 mm, secured, 100 x 100 mm

Part number: 510020

GTIN: 4001636510020

Rebate group: 3



Description:

grating ECS 10, grate 5 mm, secured, 100 x 100 mm

used with floor drain bodies types 40, 42 and 46, with balcony drain bodies types 83 and 84, drainage elements for attic drains as well as type 85 raising piece, spigot polypropylene, extendable with DN 100 plastic pipe, frame 304 stainless steel, 100 x 100 mm, grate 5 mm 316L stainless steel, secured, load class L 15 (1.5 t)

Some of these gratings can be supplied with d: 103 mm spigot where its use is allowed. Please enquire.

Spare parts:

495013 drainage ring S 10