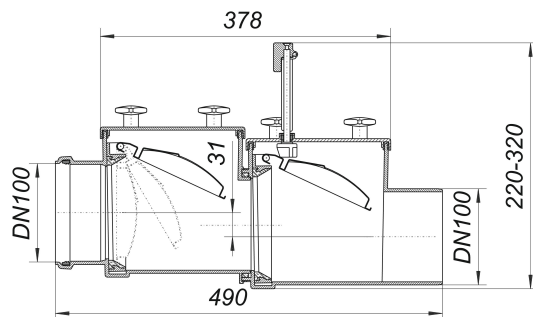
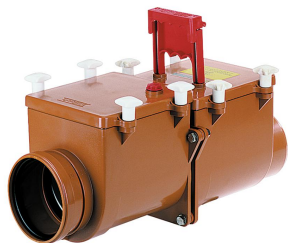


anti-flooding valve Stausafe RS, DN 100

Part number: 661265
 GTIN: 4001636661265
 Rebate group: 3



Description:

anti-flooding valve Stausafe RS, DN 100
 for EN 13564-1:2002 (DN 100-DN 150), type 2
 operation conforms to DIN 1986-100:2002-03

specification:

- twin self-closing stainless steel flaps
- manually operated lock
- stainless steel pivots
- test-port
- easy to maintain ABS housing
- inspection cover with wingnuts can be opened for maintenance without tools

Note: Local regulations outside Germany may allow use on sewage lines.

eg. Document H of the UK Building Regulations.
 Dimensions of Dallmer anti-flooding valves on page XXX.

Spare parts:

664020 wing nuts for Stausafe (4 pieces), M 8

664037 cover seal for Stausafe DN 100/DN 125

664075 grab for Stausafe H and RS, DN 100/DN 1

664167 socket for Stausafe DN 100