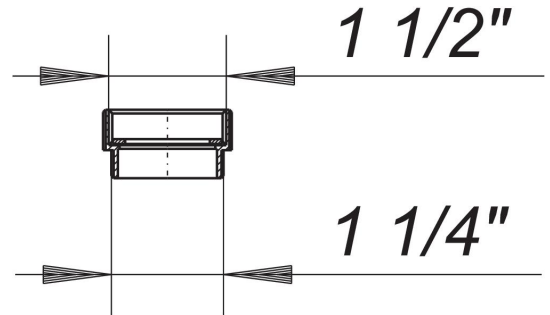


reducer/ spacer, 1 1/2" x 1 1/4"

Part number: 090218
GTIN: 4001636090218
Rebate group: 1



Description:

reducer/ spacer, 1 1/2" x 1 1/4"
female x male thread

material:
polypropylene