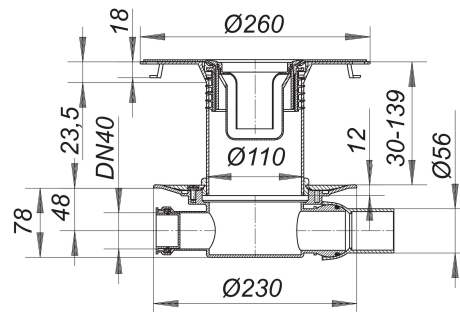


floor drain 32 N, BS 2"

Part number: 420350
 GTIN: 4001636420350
 Rebate group: 5



Description:

floor drain 32 N, BS 2"
 for one-piece stone shower trays
 outlet horizontal, ball-joint adjustable 0 – 15 degrees, DN 50, BS 2" sw socket or HDPE 56 mm

specification

- side inlet, DN 40
- stainless steel reinforcing plate
- TistoDrain type N flange with fleece surface
- removable trap insert, 50 mm water seal (conforming to DIN EN 1253)
- push-fit connector with 0 – 20 mm height adjustment
- seal
- temporary blanking plate/installation key

material

polypropylene

outlet horizontal, ball-joint adjustable 0 – 15 degrees, BS 2" sw socket or HDPE 56 mm

The outlet connector can be supplied in ABS to suit British Standard sizes and PE-HD conforming to DIN EN 1519. Please enquire.

Ordering: Only in combination with a DALLMER Design grate.