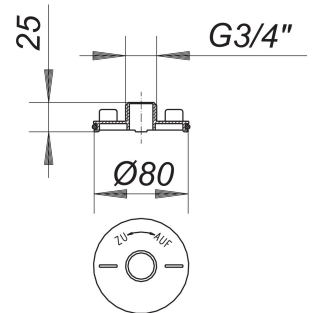


test plug S 10

Part number: 495068
GTIN: 4001636495068
Rebate group: 3



Description:

test plug S 10
for pressure testing to DIN EN 1610 for floor drain types 42 and 46

material
polypropylene/rubber