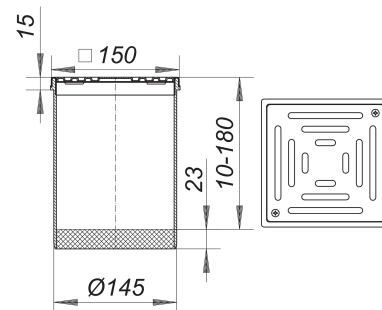


grating SEN 15, secured grate, 150 x 150 mm

Part number: 500281
GTIN: 4001636500281
Rebate group: 3



Description:

grating SEN 15, secured grate, 150 x 150 mm
used with floor drains type 54, 55, 57, 58, 61 and 61/1
spigot polypropylene, frame 304 stainless steel, 150 x 150 mm
grate 304 stainless steel, secured, load class K 3 (300 kg)