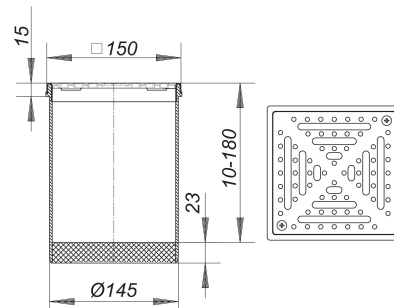


grating RHS 15, 1.5 mm grate, non-slip, secured, 150 x 150 mm

Part number: 500434
GTIN: 4001636500434
Rebate group: 3



Description:

grating RHS 15, 1.5 mm grate, non-slip, secured, 150 x 150 mm
used with floor drains type 54, 55, 57, 58, 61 and 61/1
spigot polypropylene, frame 304 stainless steel, 150 x 150 mm
grate 304 stainless steel, secured,

conforming to DIN 51097 in swimming and shower areas non-slip class B, conforming to DIN 51130 non-slip class R 11, load class K 3 (300 kg)