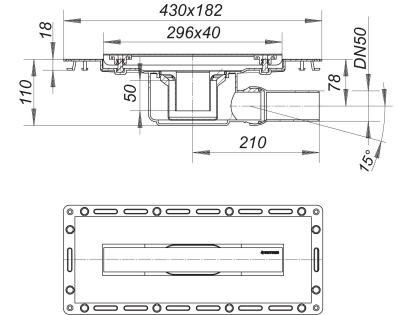


linear drain TistoLine Standard 300, DN 50

Part number: 530264
 GTIN: 4001636530264
 Rebate group: 5



Description:

linear drain TistoLine Standard 300, DN 50
 outlet horizontal, ball-joint adjustable 0 – 15 degrees, DN 50, BS 2" sw socket or HDPE 56 mm

specification

- waterproofing flange with fleece surface
- Tisto-membrane
- temporary blanking plate
- trap insert easily removable for cleaning, 50 mm water seal (conforming to DIN EN 1253)
- height adjustable pedestals to level cover with mosaic, tile, stone etc.
- tile trim jig

material

drain body polypropylene

cover plate 304 stainless steel, 300 x 40 mm, load class K 3 (300 kg), for flooring 2 – 12 mm (incl. adhesiv)

Also available with recessed cover and with connectors to suit PVC and HDPE pipe.

Flow rates tested to DIN EN 1253:

Nominal diameter	Product standard	Min. flow rate according to norm	Water level according to norm
DN 50	DIN EN 1253	0.80 l/s	20.00 mm

Spare parts:

523983 adjustable pedestals