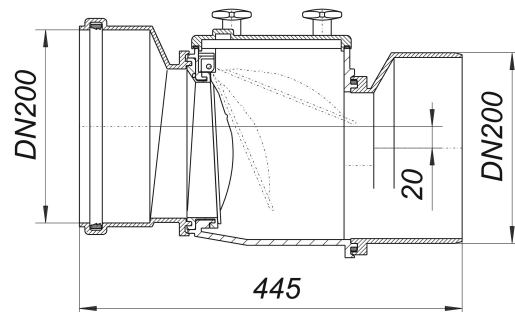


anti-flooding valve Stausafe E, DN 200

Part number: 660008

GTIN: 4001636660008

Rebate group: 3



Description:

anti-flooding valve Stausafe E, DN 200
for use with rain water systems

specification:

- self-closing stainless steel flap
- stainless steel pivots
- easy to maintain ABS housing
- inspection cover with wingnuts can be opened for maintenance without tools

Dimensions of Dallmer anti-flooding valves on page XXX.

Spare parts:

664020 wing nuts for Stausafe (4 pieces), M 8

664044 cover seal for Stausafe DN 150/DN 200

664440 flap type 2000 for Stausafe, DN 150

664624 cover type 2000 for Stausafe E, DN 150