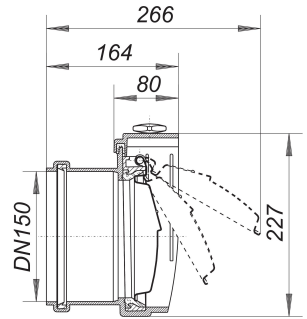


flap-valve, DN 150

Part number: 660398
GTIN: 4001636660398
Rebate group: 3



Description:

flap-valve, DN 150
specification:
- stainless steel flap
- stainless steel pivots
- ring-seal socket connects to plastic pipework

material:
ABS

Flap-valves allow free drainage, for example to a manhole, whilst preventing ingress of debris or vermin.